

G l a s s C l a d d i n g

ThyssenKrupp Elevator (ES/PBB)



ThyssenKrupp

Technical terms

- PPG (polished plate glass, float glass)
- TSG (tempered safety glass)
- HSG (heat strengthened safety glass)
- LSG (laminated safety glass)
- TRLV (Technical Regulations for the Use of Glazing with Linear Supports)
- TRAV (Technical Regulations for the Use of Accident-Proof Glazing)

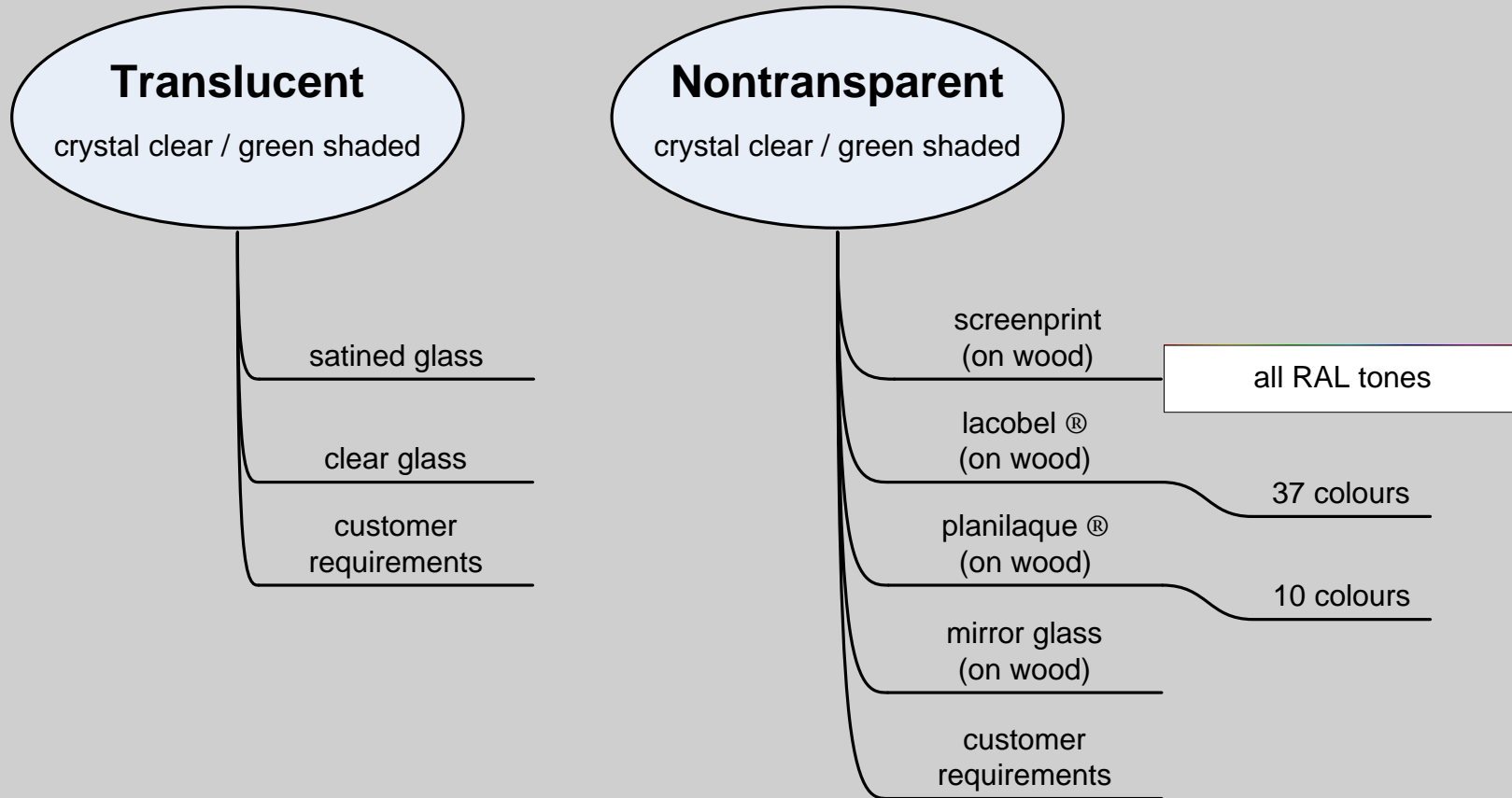


Regulatory framework

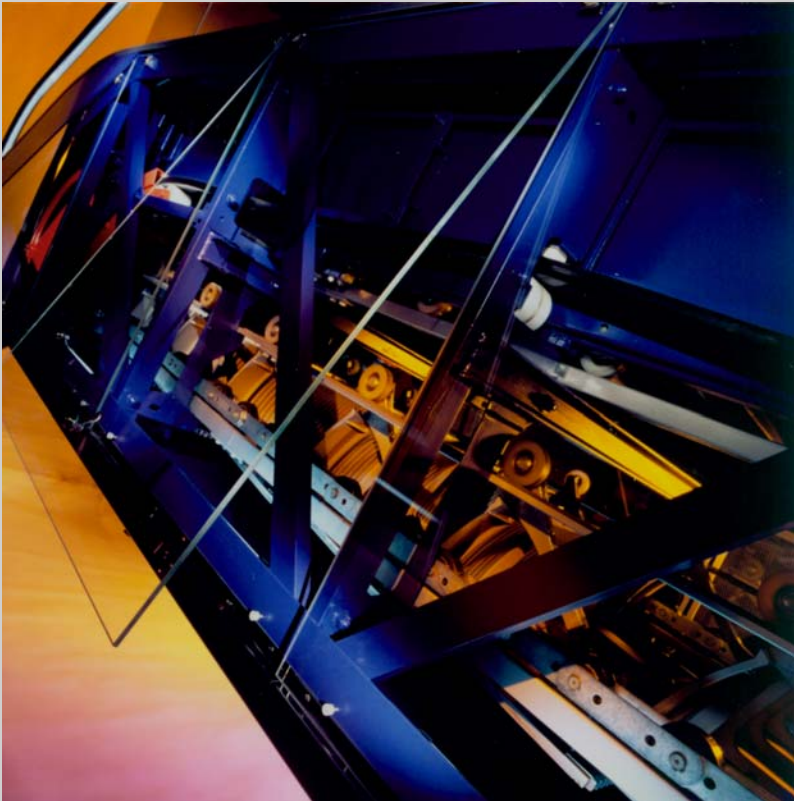
- DIN EN 115
- Technical information sheets published by the building authorities in individual Federal States
- Guidelines TRAV, TRLV
- Individual construction solution
- General building-authority approval



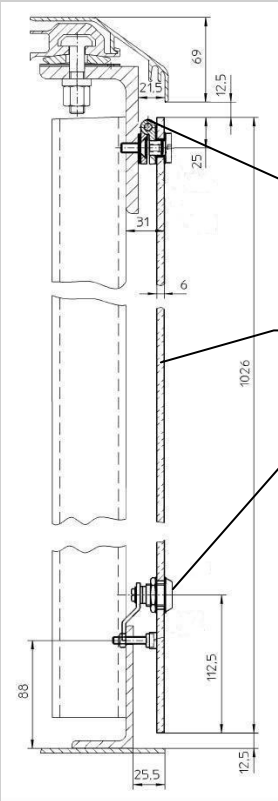
Different types of glass



Translucent cladding



easy to open for maintenance and cleaning



technical drawing

ThyssenKrupp Elevator (ES/PBB)



Translucent cladding



easy to open for maintenance and cleaning



dark glass, special client requirements

ThyssenKrupp Elevator (ES/PBB)



ThyssenKrupp

Translucent cladding



satined glass with background illumination

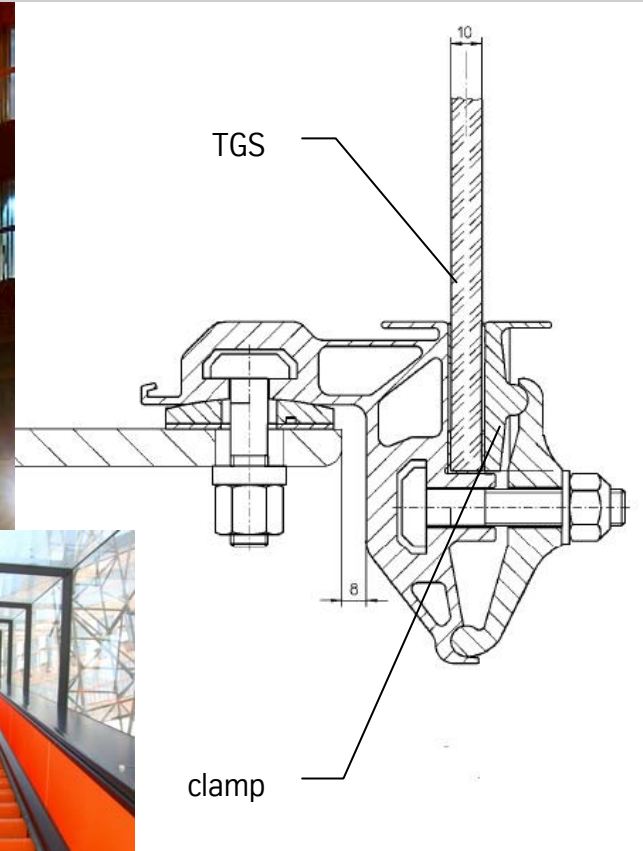
ThyssenKrupp Elevator (ES/PBB)



Translucent balustrade



illuminated glass balustrade



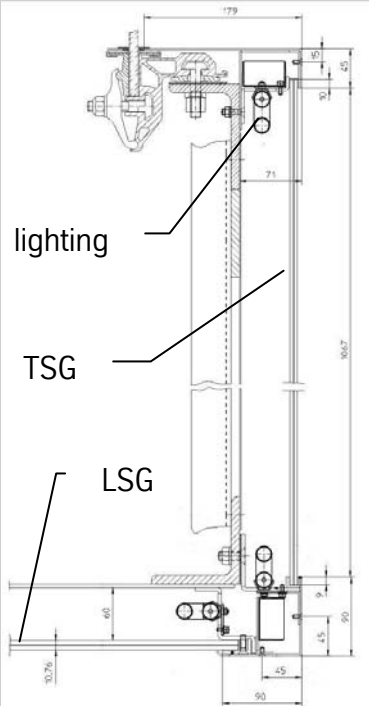
ThyssenKrupp Elevator (ES/PBB)



Translucent cladding



illuminated glass cladding



technical drawing

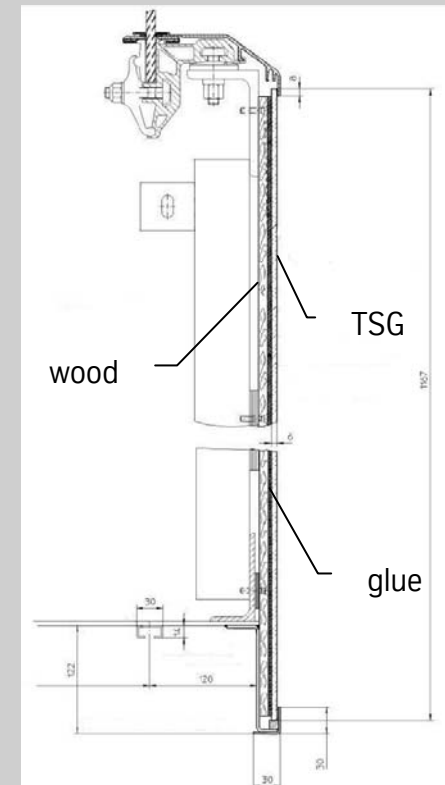
ThyssenKrupp Elevator (ES/PBB)



Nontransparent cladding



homogeneous surfaces, standard TSG green shaded



technical drawing

ThyssenKrupp Elevator (ES/PBB)

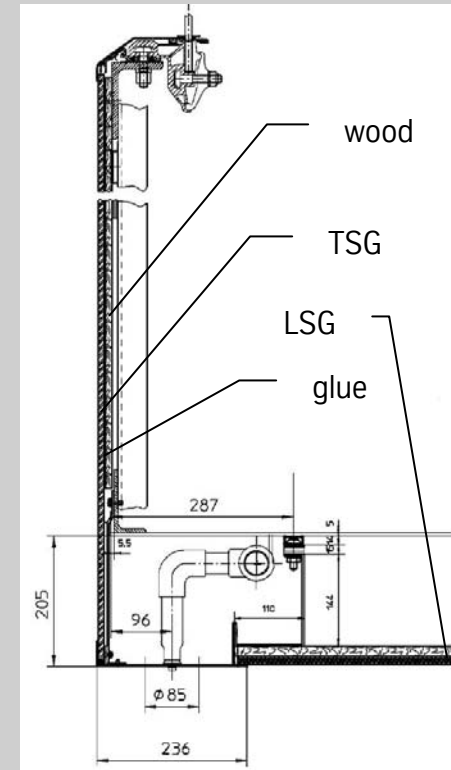


ThyssenKrupp

Nontransparent cladding



Crystal clear TSG / LSG cladding



technical drawing

ThyssenKrupp Elevator (ES/PBB)

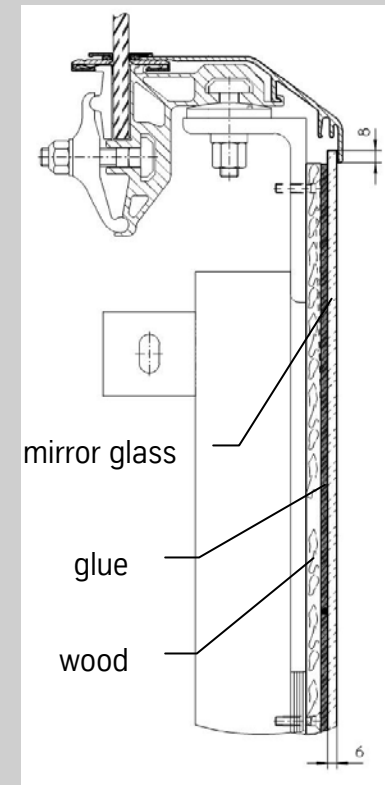


ThyssenKrupp

Nontransparent cladding



homogeneous surfaces, mirror effect



technical drawing

ThyssenKrupp Elevator (ES/PBB)

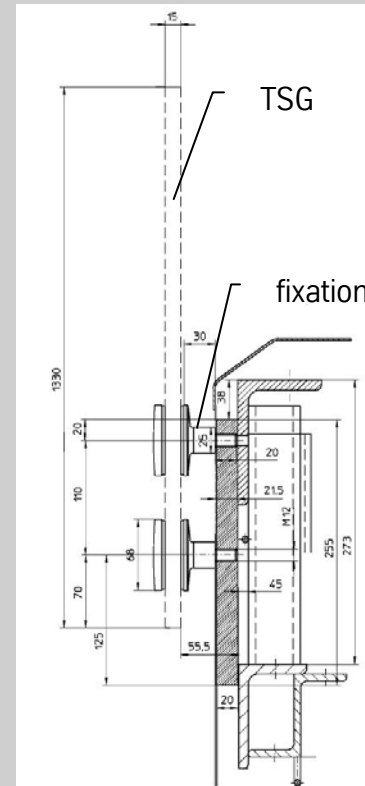


ThyssenKrupp

Safety barrier



customer requirements, safety barrier



technical drawing

ThyssenKrupp Elevator (ES/PBB)

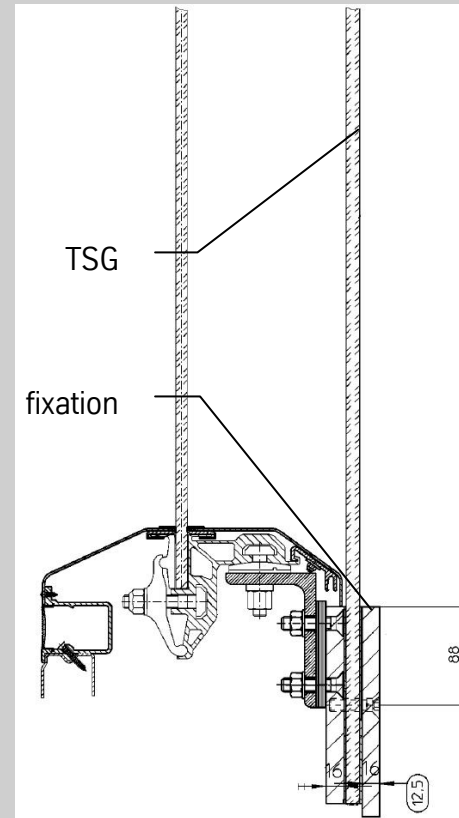


ThyssenKrupp

Safety barrier



safety barrier with linear supports



technical drawing

ThyssenKrupp Elevator (ES/PBB)

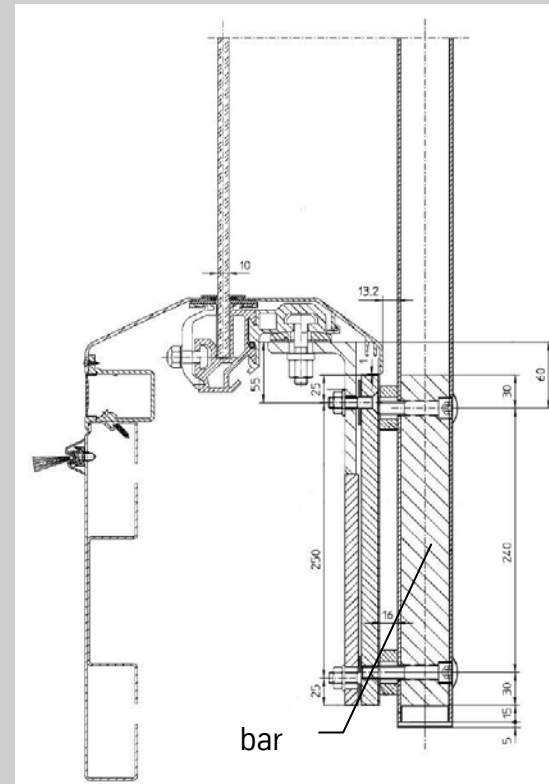


ThyssenKrupp

Safety barrier



customer requirements, safety barrier



technical drawing

ThyssenKrupp Elevator (ES/PBB)



ThyssenKrupp

pros and cons

- + impressive light effects
- + smooth homogeneous surfaces
- + easy access to the lighting parts (hinged covers)
- + noble and lightweight appearance
- + many degrees of freedom for architects and designers
- + high quality finish
- + available in all RAL tones (screenprint)

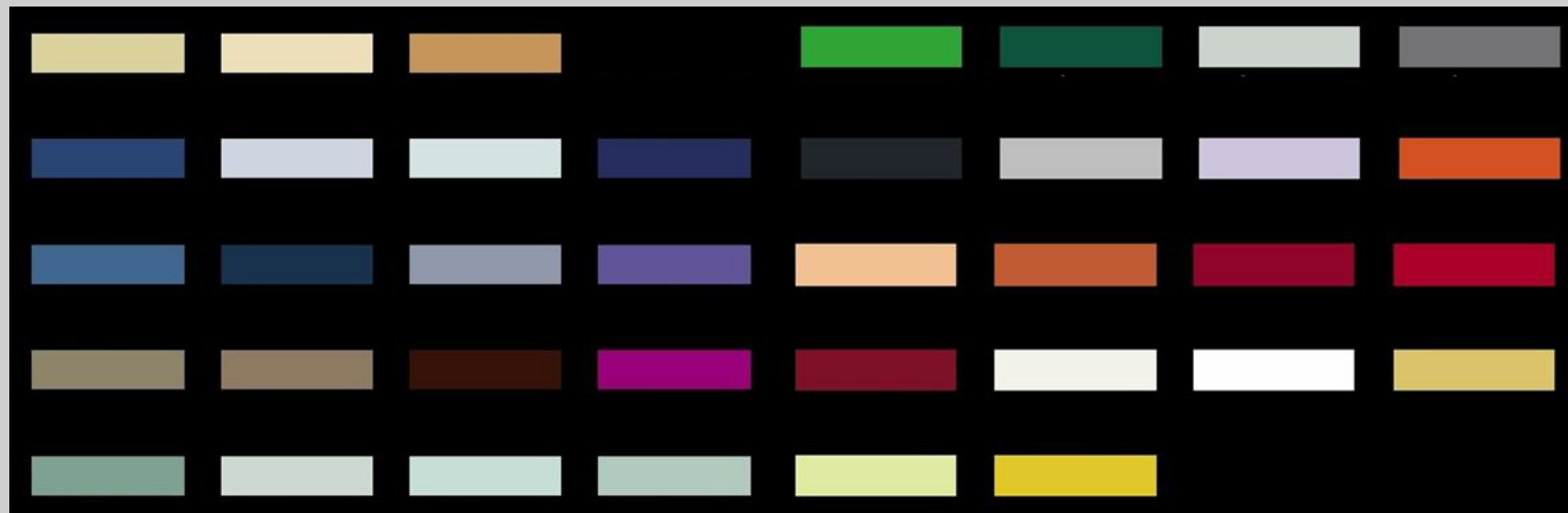
- heavy loads
- sometimes complicated approval
- higher budgets necessary
- requires sophisticated cleaning

ThyssenKrupp Elevator (ES/PBB)



ThyssenKrupp

Available colours Lacobel®

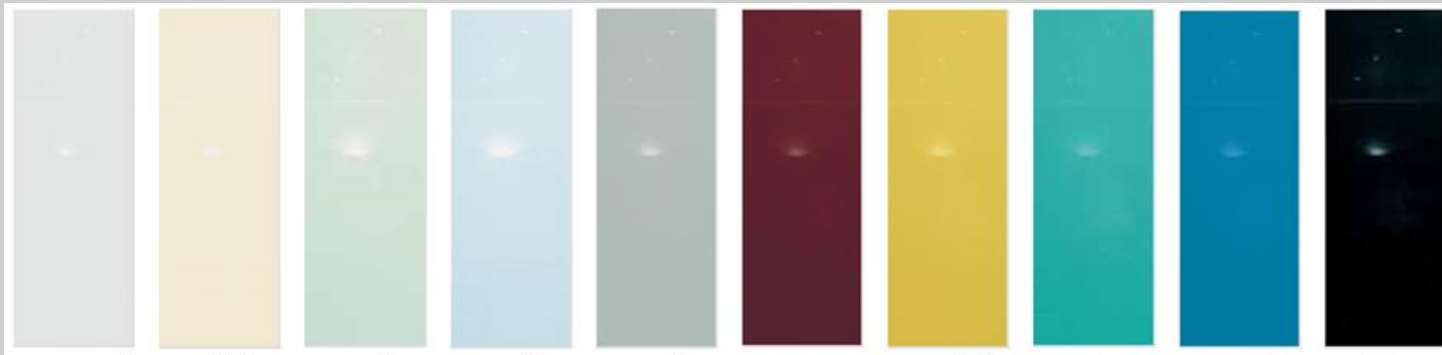


ThyssenKrupp Elevator (ES/PBB)



ThyssenKrupp

Available colours Planilaque®



ThyssenKrupp Elevator (ES/PBB)



ThyssenKrupp