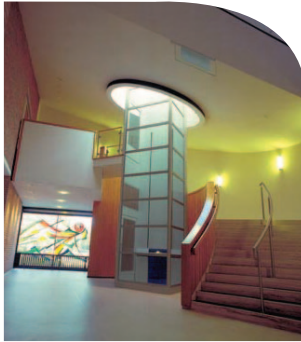




## Vector



## VerticalPlatformLift

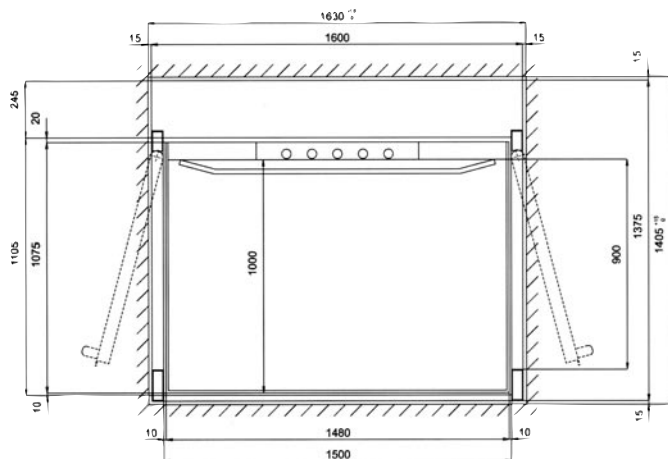
the ideal solution for new and existing buildings

Designed to be integrated easily into your living or working environment, the Vector requires no special building works and is simple to install.

*Key features include:*

- Self contained unit – no major structural or architectural changes are required.
- Painted steel enclosure.
- Easy to use constant pressure controls.
- Can be pit mounted.

**Specialists in**  
**PublicAccessSolutions**



TECHNICAL SPECIFICATIONS	
Capacity	400kg – max. 630kg
Standard Platform Size	1000 x 1480mm
Standard Shaft Dimensions	1375 x 1600mm
Maximum Lifting Height	12m
Minimum Pit Depth	50mm (optional ramp)
Maximum Speed	15cm/s
Maximum Power	2.2kW
Drive System	ball and screw (direct action)
Aperture Requirements	1405 x 1630mm

# Vector

## Vertical Platform Lift

the ideal solution for new and existing buildings

### Options:

- Choice of RAL colours and door types.
- Various platform dimensions.
- Automatic entry doors.
- Folding seat.
- Access Ramp.
- Safety glass panels for the shaft walls.

## Specialists in Public Access Solutions

**Lift Able** a division of ThyssenKrupp Access Ltd

**Head Office:** Easter Park, Earlsway, Teesside Industrial Estate, Stockton-on-Tees TS17 9NT

**Branch Office:** 236 Europa Boulevard, Gemini Business Park, Warrington, Cheshire WA5 7TN

Please visit our website at [www.liftable.co.uk](http://www.liftable.co.uk) or email [public.access@liftable.co.uk](mailto:public.access@liftable.co.uk)

Due to continuous development in design, we reserve the right to change specifications without prior notice.



**ENQUIRIES: 01642 768590 SERVICE: 01642 763646 FAX: 01642 766590**



QAIC/UK/608

